

## Description

Compact actuator to control or regulate valves.  
Brushless motor technology.  
With a preset working angle of 90°.  
Connection according to ISO5211/DIN3337.

Equipped in standard with:

- Emergency override with handwheel
- 2 additional volt free end switches
- Electronic torque limiter
- Automatic interior heater
- Coloured status LED
- Dome position indicator
- Freely adjustable cams (max. 340°)
- Standard 2 point control, 3 point regulation

## Technical data

**Voltage range:** 24 - 240V DC/AC (50/60 Hz)

**Current consumption:** 0,44 A - 3,30 A

**Working time/90°:** 34 s ± 10%

**Heater:** 3,5 W

**Break torque:** 170 Nm

**Operation torque:** 140 Nm

**Duty rating [ED]:** 75%

**Protection class:** IP67

**Temperature range:** -20°C - +70°C

**Flange:** F07/F10 - F12 via Kit

**Stem intake:** ⌀ 17 mm, 22 mm (Standard)  
□ 17x22,5 mm

**Plugs:** EN175301-803 Form A  
EN175301-803 Form A

**Housing material:** Polyamid (PA6)

**Endswitches:** SPST NO 5A 125V AC / 3A 250V AC

**Weight:** 5,2 kg



## Options

### BSR (Battery safety pack)

In case of a power failure, the actuator turns to a predefined safety position (open or close).

**Variations:** NC, NO  
**-Combination with:** DPS, 3 Positions, Potentiometer, Permanent phase-

### DPS (Digital positioning system)

The position of the actuator is controlled by an input signal and provides its actual position as an output signal.

**Following signal types are available:**  
0-10V, 1-10V, 0-20mA, 4-20mA

### 3 Positions

The actuator has the possibility to drive to a middle position.

**Standard:** 0°-90°-180°

### Permanent phase wiring

The actuator has a permanent power connection and automatically turns to the predetermined position. When the other contact is powered, the actuator turns to the opposite direction.

**Variations:** NC, NO

### Potentiometer

A Potentiometer inside of the actuator gives out its actual position as an ohmic value.

**Variations:** 1kΩ, 5kΩ, 10kΩ

### B-Series (12V version)

The actuator is controlled by a voltage of 12V AC/DC.

**-Combination with all options possible-**

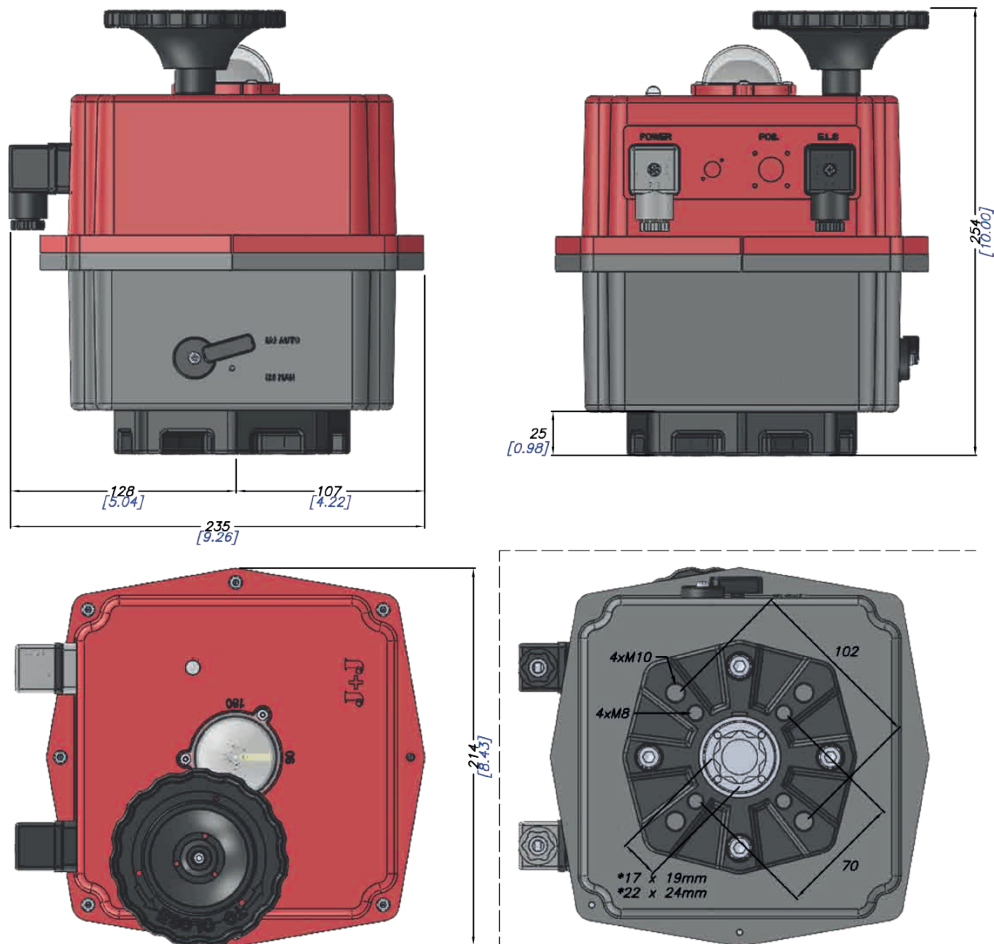
### Bluetooth

A Bluetooth module gives the possibility to control and read out via Bluetooth.

### Modbus

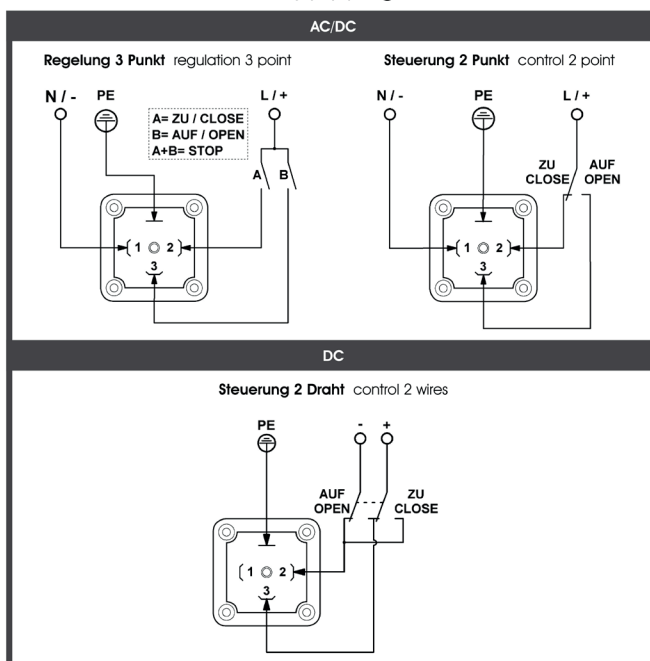
A Modbus module gives the possibility to control and read out the actuator via Modbus.

## Technical drawing



## Wiring diagram

### Versorgungsstecker supply plug



### Endlagenstecker end position plug

