

Wafer check valve S4 PVC, PP, PVDF



General:

Sealing Material: EPDM, FPM
Body Material: PVC, PP, PVDF
Dimension: DN32 – DN500

Operating pressure: see table

Typen:

S4.60 without return spring
S4.70 with return spring

Return spring material:

Stainless Steel 1.4571
Hastelloy C4

Features:

Simple and robust construction
Mounting between DIN backing ring PN10
Supporting ring for assembling
Low pressure drop
Opening pressure with spring is about
20mbar higher
Maintenance free

Exit supports:

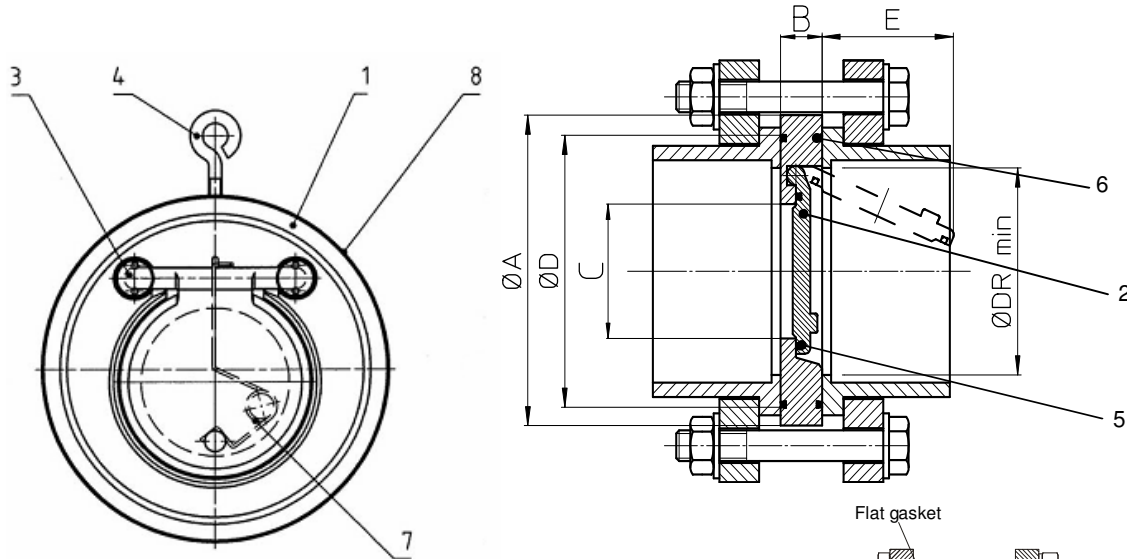
Offers better opening position of the disc
= better flow characteristics = less pressure
drop

Wafer check valve S4

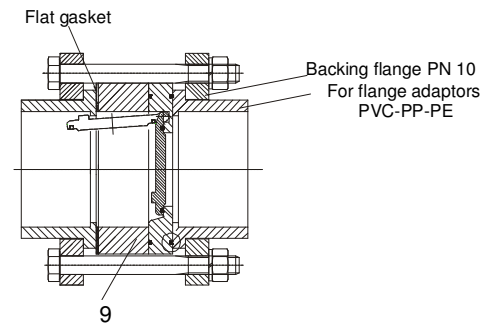
PVC, PP, PVDF



Parts, Dimensions



- 1. Body
- 2. Disc
- 3. Screw
- 4. Ring screw
- 5. O-Ring
- 6. O-Ring
- 7. Spring
- 8. Typ plate
- 9. Spacer



without spring *with spring*

DN	A	B	B	C	D	E	F	DR
32	85	15	15	18	59	22	25	37
40	95	16	16	22	72	25	28	43
50	109	18	18	32	86	37	29	54
65	129	20	20	40	105	50	31	70
80	144	20	20	54	119	61	32	82
100	164	23	23	70	146	77	31	106
125	195	23	23	92	173	94	35	131
150	220	26	26	105	197	100	40	159
200	275	34	34	154	255	152	38	207
250	330	40	40	192	312	180	41	260
300	380	45	45	227	363	215	41	309
350	440	49	49	266	416	245	54	341
400	491	65	65	310	467	285	55	392
450	541	68	78	350	520	330	61	443
500	596	78	87	400	550	385	58	493



Wafer check valve S4
PVC, PP, PVDF



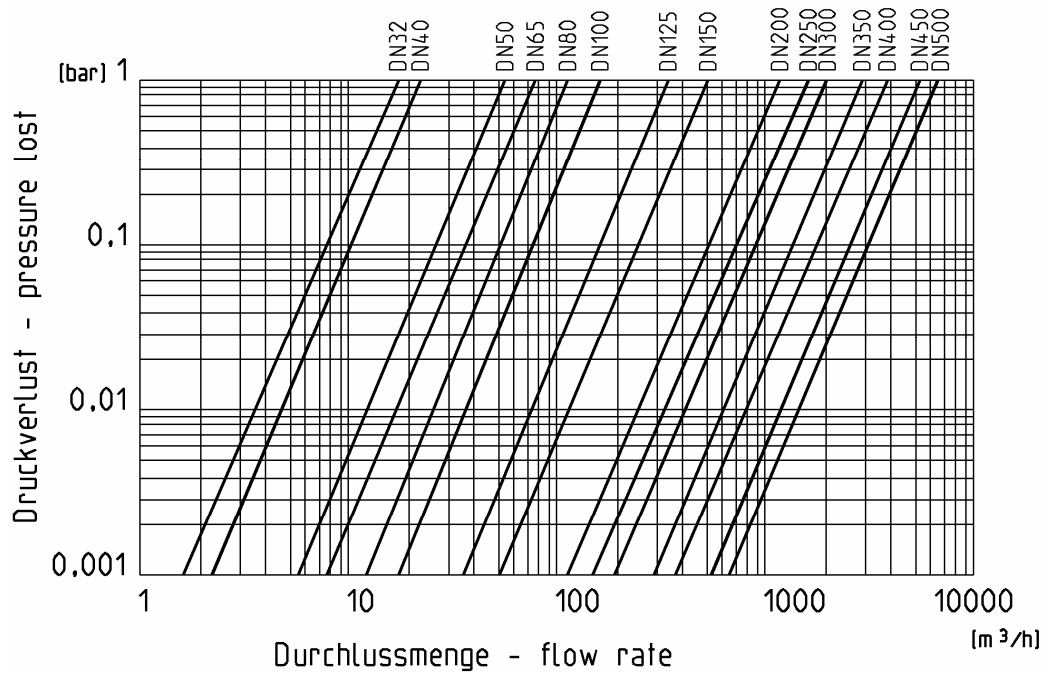
Maximum operating pressure

Operating pressure in <bar> in relation to size and material (temperature 20°C)

DN	PVC bar	PP bar	PVDF bar
32	5	6	8
40	5	6	8
50	5	6	8
65	5	6	8
80	5	6	8
100	5	6	8
125	5	6	8
150	5	6	8
200	5	6	8
250	5	6	8
300	5	6	5
350	3	4	5
400	3	4	5
500	3	4	5

Maximum operating temperature in relation to seals: EPDM 120°C
 FPM 150°C

Pressure loss diagram



Wafer check valve S4
PVC, PP, PVDF



DN	32	40	50	65	80	100	125	150	200	250	300	350	400	500
Kv-Wert (m ³ /h)	16,2	22,2	54	75	112	172	342	490	1128	1500	1914	2800	3700	6450

The values in the diagram refer to water at 20 °C

Installation instructions:

A back pressure of 0,3 bar is necessary to maintain the pressure tightness the valve.

For installation on pumps (pressure part) please note the following:

- No direct installation on pump flanges or bend
- Befor and after the wafer the check valve, a relieve area for the flow of 5 times the used DN must be considered

Caution:

PP Piping Systems shall be equipped with the special fitting on the opening gate to enable the est possible opening of the disc. This avoids damages inside the pipe resp. stub flange.

Note:

Wafer type check valves type S4.60 (without spring) is not recommended for the use of vibrant flow situations. For such applications use wafer type check valves type S4.70. (with spring)

