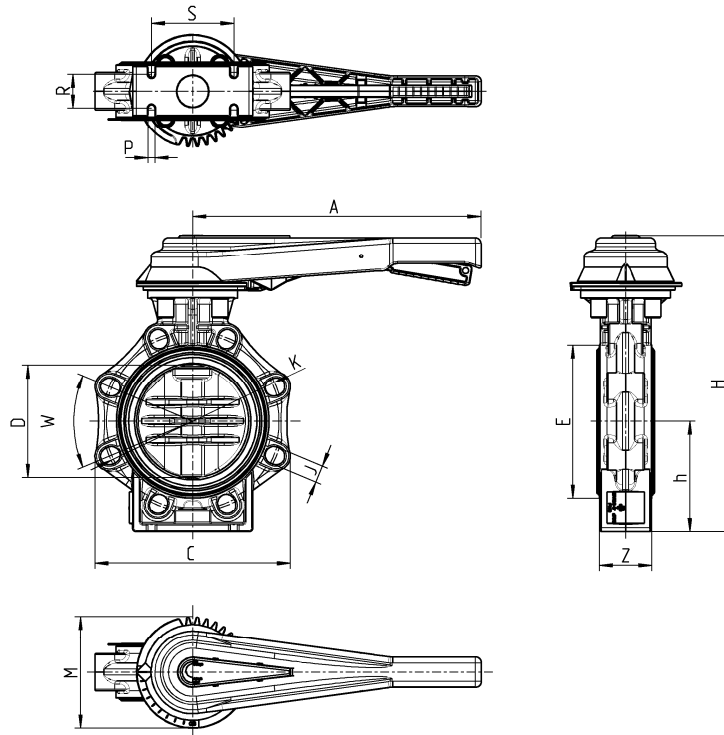


Butterfly Valve K4 with hand lever



Dimensions:



DN	65	80	100
d	75	90	110
G	2 1/2"	3"	4"
A	230	230	300
D	65	80	100
C	133	176	206
W	90°	45°	45°
J	19	19	19
K	127 – 145	146 – 160	175 – 190,5
H	285	292	322
h	100	100	115
E	98	116	146
M	114	114	114
Z	46	49	56
S	55	70	85
R	25	30	35
P	7	9	9
PN	10	10	10

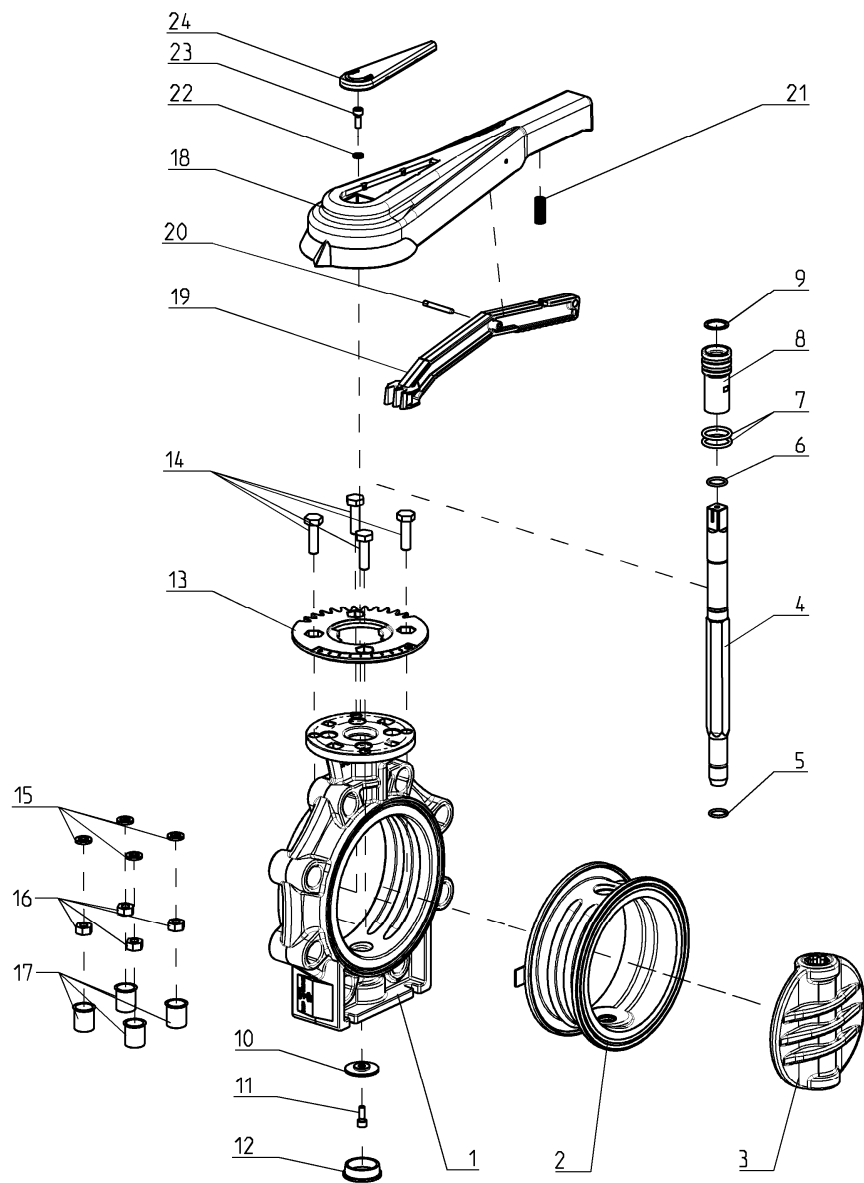
Dimensions in mm

Butterfly Valve K4 with hand lever



Exploded drawing:

- 01. Body
- 02. Sleeve
- 03. Flap
- 04. Shaft
- 05. Seal shaft below
- 06. Seal shaft above
- 07. Seal pilot bushing
- 08. Pilot bushing
- 09. Retaining ring
- 10. Holding disc
- 11. Screw
- 12. Cap
- 13. Cover plate
- 14. Screws
- 15. Tooth wheel
- 16. Nuts
- 17. Caps
- 18. Handle
- 19. Lever
- 20. Pin
- 21. Spring
- 22. Washer
- 23. Screw
- 24. Marking plate

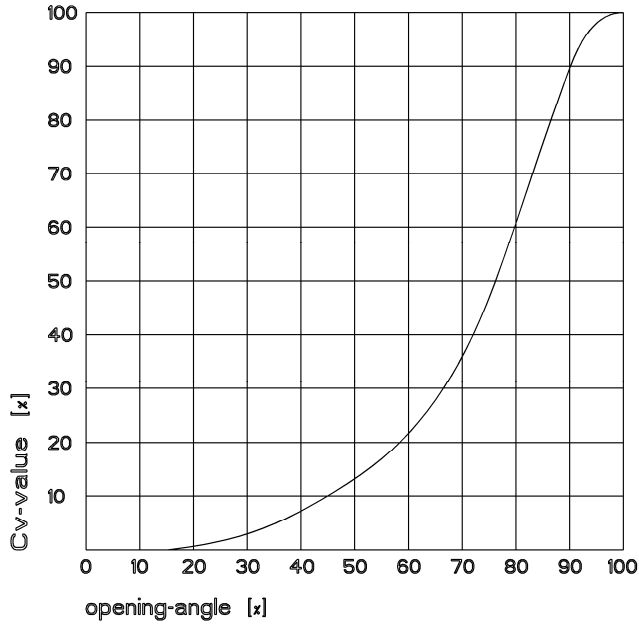


Butterfly Valve K4 with hand lever

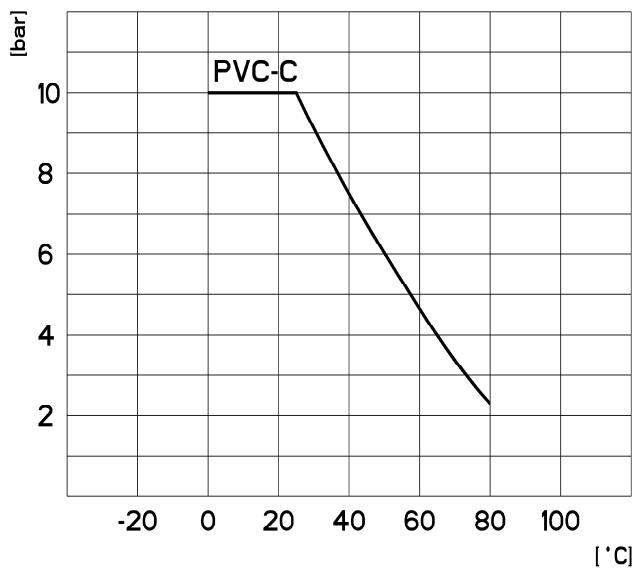


Diagrams:

Flow - characteristic

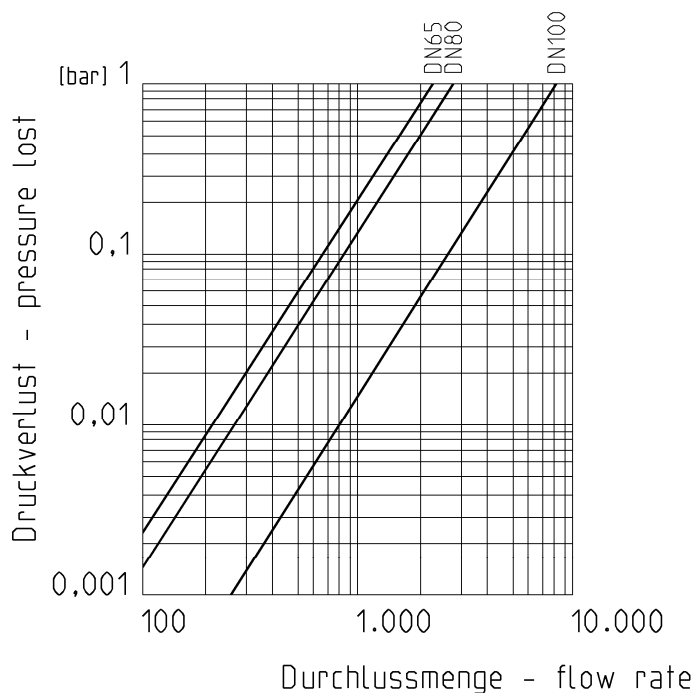


Pressure – temperature – diagram



Butterfly Valve K4 with hand lever

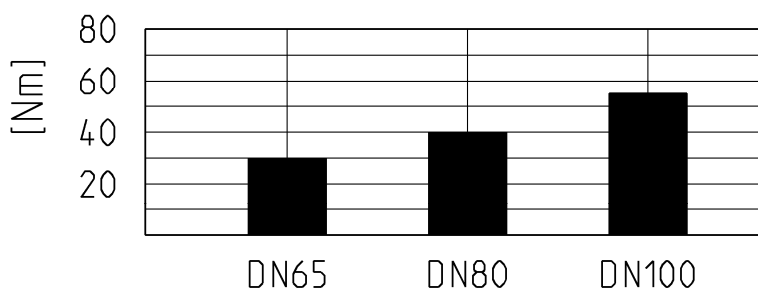
Pressure – loss - diagram



Kv value table

Pressure loss	DN65	DN80	DN100
0,001 bar	73 l/min	88 l/min	260 l/min
1 bar	2300 l/min	2800 l/min	8200 l/min

Torque



Tightening torque of screws for flange connections

DN	65	80	100
Nm	15	18	20