

Butterfly Valve K4

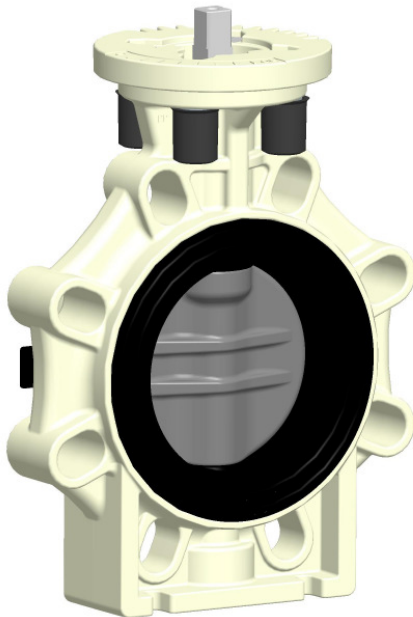
Electric Actuators ER35, ER60, VS150, VS300



Actuator ER35 for butterfly valve DN65
Actuator ER60 for DN80 and DN100



***Actuator VS150 for DN150**
***Actuator VS300 for DN200**



General:

- Sealing materials: EPDM, FPM
- Body material: PP-GF
- Disc materials: PVC, PP, PVDF
- Dimensions: DN65 – DN200
d63/d75 – d225
2 1/2" - 8"

- Flange connections: DIN 2501
ANSI B 16,5
JIS 10 K
BS Table D&E

Operation pressure: PN 10

Actuator material:

- plastic body
- plastic aluminium body*

Characteristics:

- direct mounting of the actuator without additional adaptor or screws
- mechanical limit stops
- emergency manual override
- protection class IP65 resp. IP67*
- position indication
- torque and force limiters
- only sleeve gasket and disc in touch with medium
- mounting bracket for fix point mounting included
- double sealed shaft

This print contains no warranty promise, but it should give you some first information. The product range is extended continuously, therefore the versions and types correspond to the actual status of printing.
Subject to technical modifications!



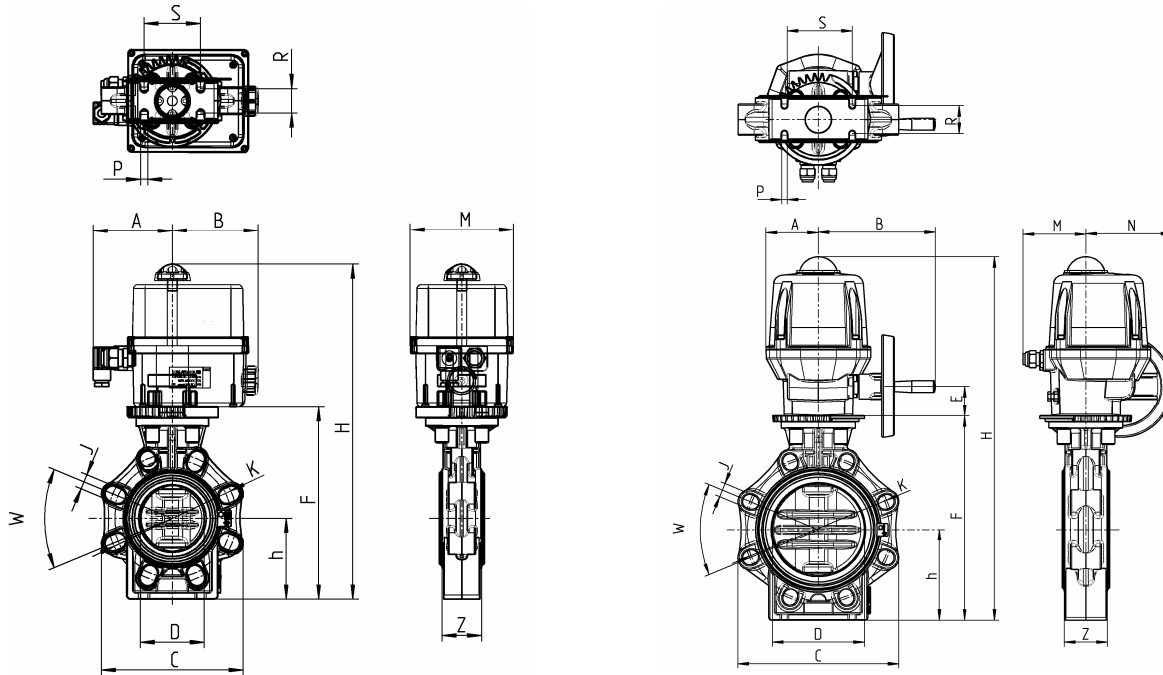
Butterfly Valve K4
Electric Actuators ER35, ER60, VS150, VS300



Dimensions:

Actuator ER35, ER60

Actuator VS150, VS300



ER35 / ER60 / ER60 / VS150 / VS300

DN	65	80	100	150	200
d	75 (63)	90	110	160	225
G	2,5"	3"	4"	6"	8"
D	65	80	100	150	200
C	133	176	206	261	314
W	90°	45°	45°	45°	45°
J	19	19	19	23	23
K	127-145	146-160	175-190,5	234,5-241,3	290-298,5
H	409	416	446	591	653
h	100	100	115	147,5	175
A	98	98	98	85	85
B	107	107	107	190	190
M	128	128	128	94	94
N	/	/	/	140	140
Z	46	49	56	70	71
S	55	70	85	110	145
R	25	30	35	45	40
P	7	9	9	9	9
F	232	239	269	333	395
E	/	/	/	48	48



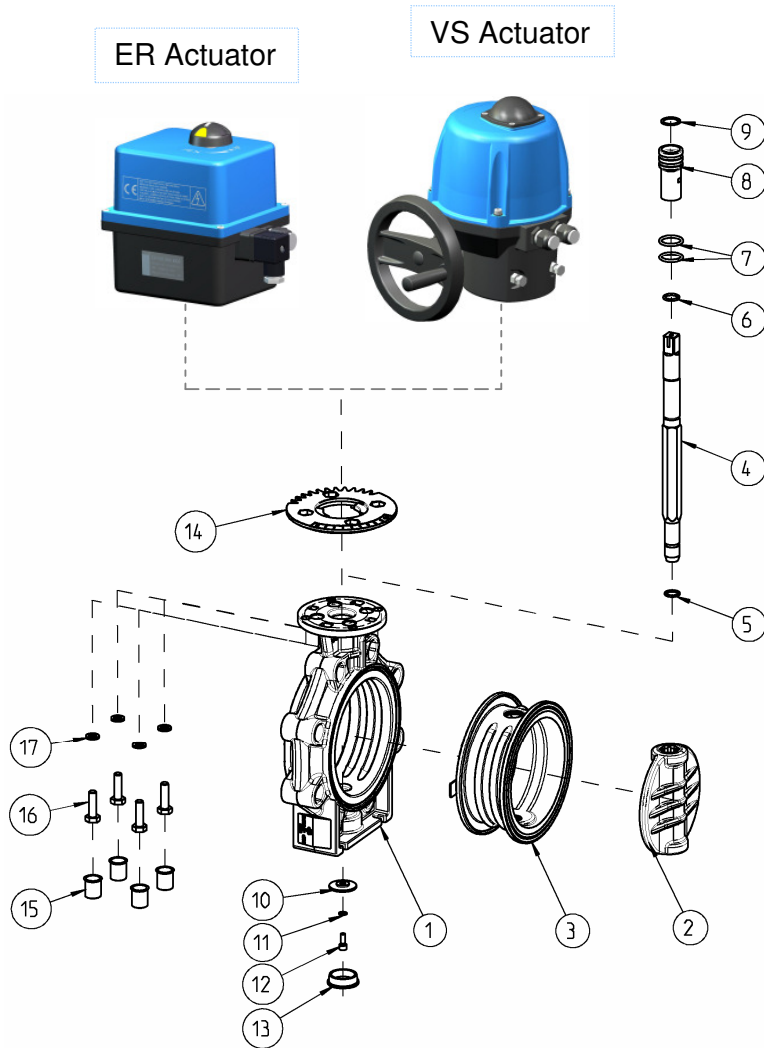
Butterfly Valve K4

Electric Actuators ER35, ER60, VS150, VS300



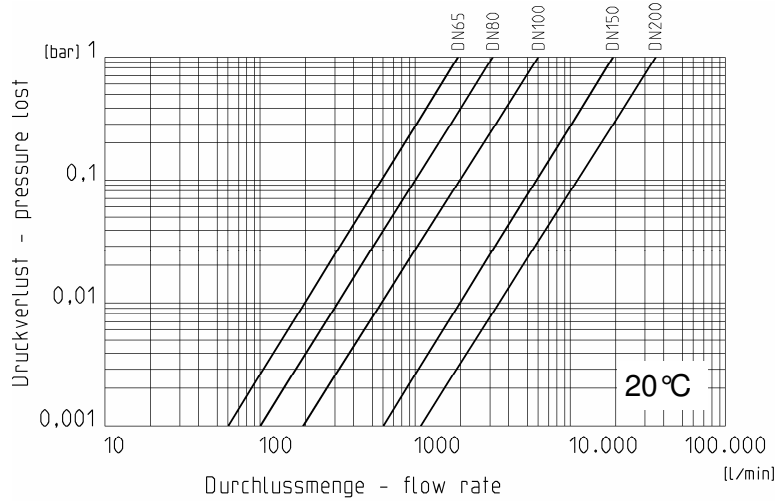
Exploded drawing:

- 1 Body
- 2 Disc
- 3 Sleeve
- 4 Shaft
- 5 Seal shaft below
- 6 Seal shaft above
- 7 Seal pilot bushing
- 8 Pilot bushing
- 9 Retaining ring
- 10 Holding disc
- 11 Tooth wheel
- 12 Screw
- 13 Cap
- 14 Cover plate
- 15 Caps
- 16 Screws
- 17 Tooth wheel



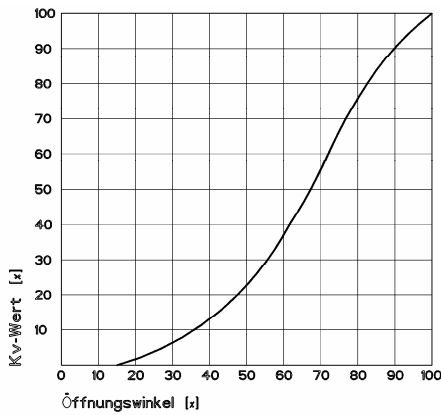
Diagrams:

Pressure loss – Diagram

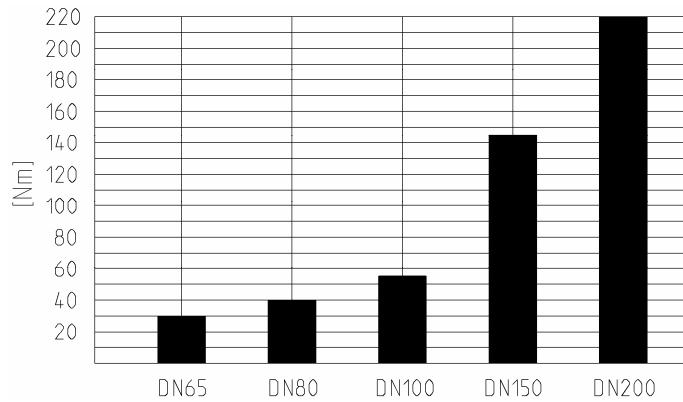


cv Value Table		
Pressure loss	1 bar	0,001 bar
DN65	1900 l/min	60 l/min
DN 80	3100 l/min	100 l/min
DN 100	6000 l/min	190 l/min
DN 150	19000 l/min	600 l/min
DN 200	35000 l/min	1100 l/min

Flow-characteristic



Torque



Tightening torque for flange connections

DN	65	80	100	150	200
Nm	15	18	20	40	55

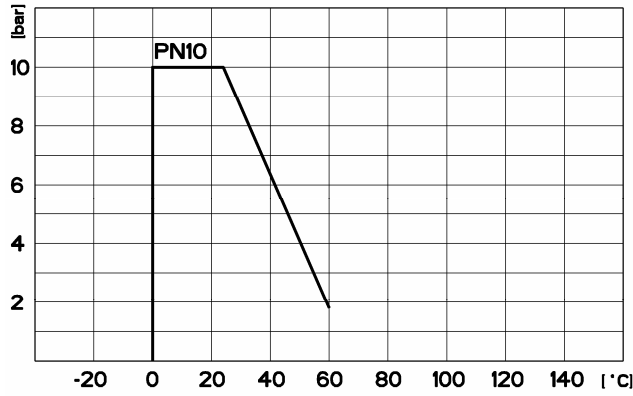
Butterfly Valve K4

Electric Actuators ER35, ER60, VS150, VS300



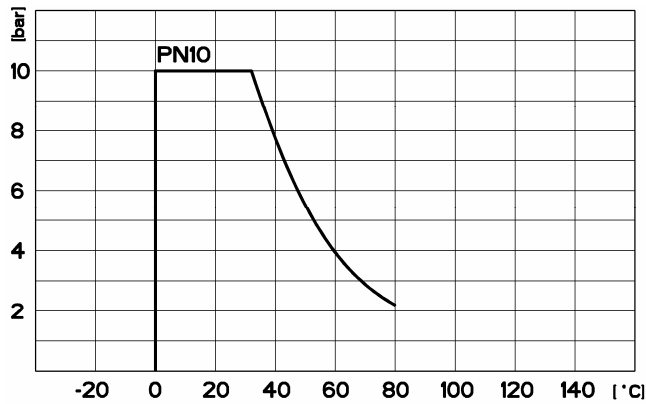
Pressure-Temperature-Diagram

PVC



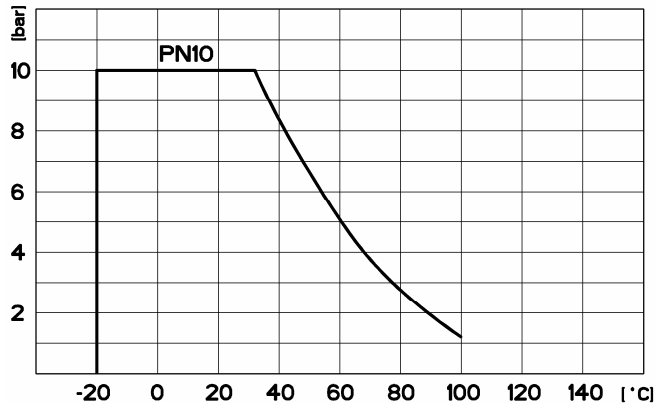
Pressure-Temperature-Diagram

PP



Pressure-Temperature-Diagram

PVDF



Butterfly Valve K4

Electric Actuators ER35, ER60, VS150, VS300

Technical Data Actuator:

Electric Actuator ER

Voltage
90-240VAC, 90-350VDC, 24V AC/DC
Power input up to 45W
4 adjustable limit switches
Pivoting angle 90° (180°)
Duty cycle 30%
Protection class IP65
Ambient temperature -10°C +55°C
ISO connection F05-F07
Octagonal screw 22mm
Weight 2,1kg

Electric Actuator VS

Voltage
100V/240V AC 24V AC/DC
Power input up to 85W
4 adjustable limit switches
Pivoting angle 90° (180°)
Duty cycle 50%
Protection class IP67
Ambient temperature -20°C +70°C
ISO connection F07-F10
Octagonal screw 22mm
Weight 5,6kg

Type	ER35	ER60	VS150	VS300
Torque	35Nm	60Nm	150Nm	300Nm
Tensions	24V AC/DC, 90-240V AC, 90-350V DC		24V AC/DC, 100-240V AC	
Operating time	10s	15s	30s	50s
Power	15W	45W	45W	85W

