

3-way Ball Valve S4 hand operated



Symbolfoto

General:

- Body material PVC-U / PP / PVDF
- Sealing material EPDM / FPM
- Ball seating joint PTFE
- Ball T- or L-bore
- Dimensions
 - DN10 (DN15 / d16 / d3/8")
 - DN15 d20 d1/2"
 - DN20 (DN25 / d25 / d3/4")
 - DN25 d32 d1"
 - DN32 (DN40 / d40 / d1 1/4")
 - DN40 d50 d1 1/2"
 - DN50 d63 d2"

Connections:

- Solvent cement socket DIN / ASTM / JIS
PVC
- Solvent cement spigot DIN
PVC
- Threaded socket BSP / NPT
PVC / PP
- Fusion sockets DIN
PP / PVDF
- Fusion spigots DIN
PP / PVDF / PE
- Flange DIN
PVC

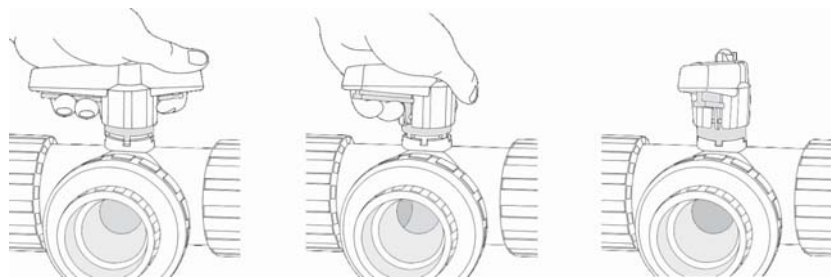
Operation pressure:

- PVC / PVDF PN16
- PP PN10

Technical specification:

- safety handle system
- radial installation or removal
- all side blocked ball
- mechanically turned ball
- full sectional area of flow (nominal bore)
- floating ball

SAFETY HANDLE SYSTEM



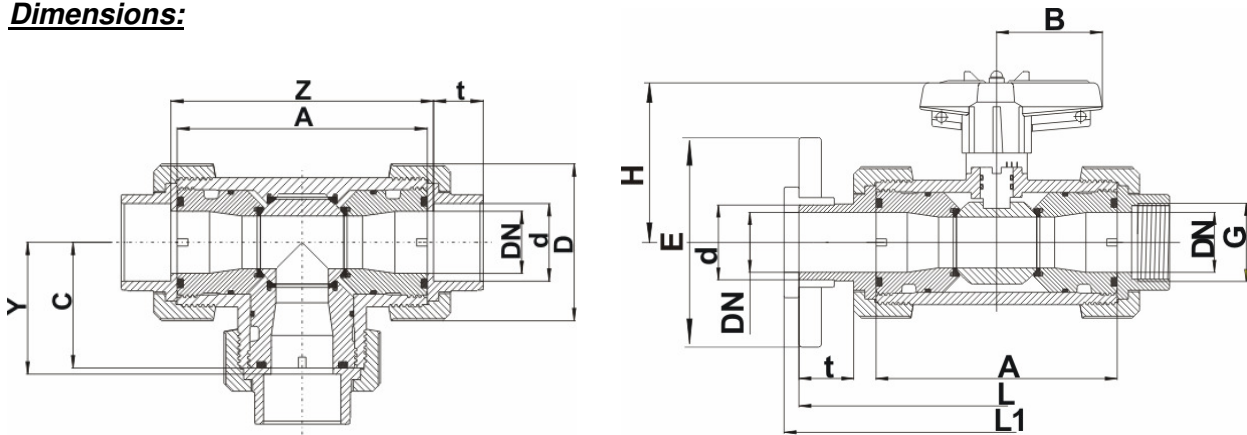
This print contains no warranty promise, but it should give you some first information. The product range is extended continuously, therefore the versions and types correspond to the actual status of printing.
Subject to technical modifications!

3-way Ball Valve S4

hand operated



Dimensions:



PVC-U

Possible connections

PVC solvent cement socket / solvent cement spigot / threaded socket / loose flange
PE fusion spigots

| DN | 10 | 15 | 20 | 25 | 32 | 40 | 50 |
|--|-----------|-----------|-----------|-----------|-----------|-----------|-----------|
| d | 16 | 20 | 25 | 32 | 40 | 50 | 63 |
| G_{GM}¹ | 3/8" | 1/2" | 3/4" | 1" | 1 1/4" | 1 1/2" | 2" |
| A | 100 | 100 | 120 | 120 | 162 | 162 | 181 |
| B | 40 | 40 | 51,5 | 51,5 | 73 | 73 | 85 |
| C | 50 | 50 | 60 | 60 | 81 | 81 | 90,5 |
| D | 53 | 53 | 70 | 70 | 101 | 101 | 124,5 |
| H | 72 | 72 | 81,5 | 81,5 | 107,5 | 107,5 | 116,5 |
| t_{KM² / KS³} | 16,5 | 16,5 | 20 | 22,5 | 27,5 | 31,5 | 38,5 |
| t_{SS PE⁴} | 13 | 14,5 | - | 18,5 | - | 29 | 31 |
| E_{LF⁵} | 90 | 95 | - | 115 | - | 150 | 165 |
| L_{KM² / GM¹} | 138 | 138 | 166 | 172 | 224 | 234 | 269 |
| L_{KS³} | 153 | 163 | - | 200 | - | 261 | 295 |
| L_{PE SS⁴} | 150 | 160 | - | 198 | - | 246 | 269 |
| L1_{LF⁵} | 159 | 169 | - | 206 | - | 267 | 301 |
| Y | 53 | 53 | 63 | 63 | 84,5 | 85,5 | 96 |
| Z | 106 | 106 | 126 | 126 | 169 | 171 | 192 |
| PN | 16 | 16 | 16 | 16 | 16 | 16 | 16 |
| PN_{LF⁵ PE⁴} | 10 | 10 | 10 | 10 | 10 | 10 | 10 |

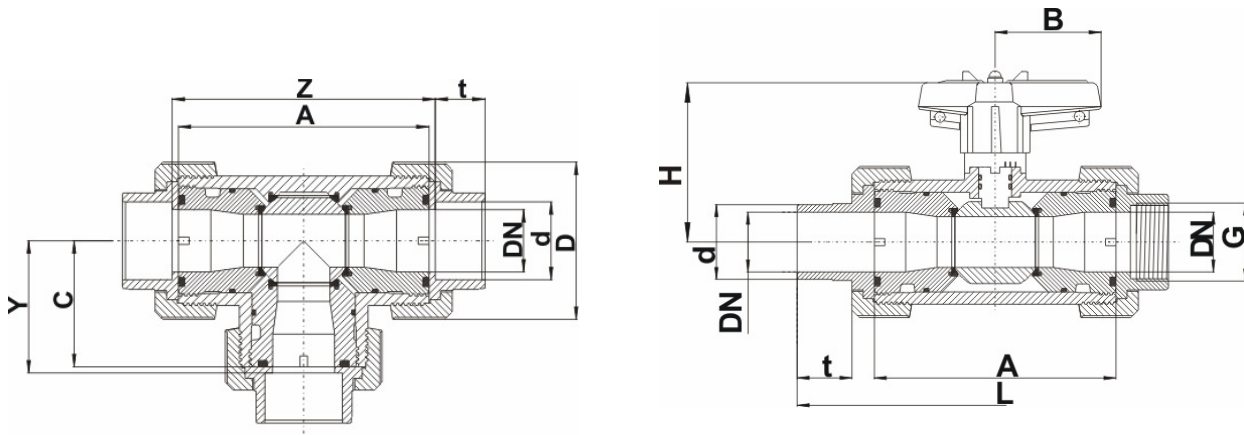
Dimensions in mm

¹ GM = threaded socket
² KM = solvent cement socket
³ KS = solvent cement spigot
⁴ SS PE = fusion spigot PE
⁵ LF = loose flange
 - = currently not available



3-way Ball Valve S4

hand operated



PP

Possible connections

PP fusion socket / fusion spigot / threaded socket

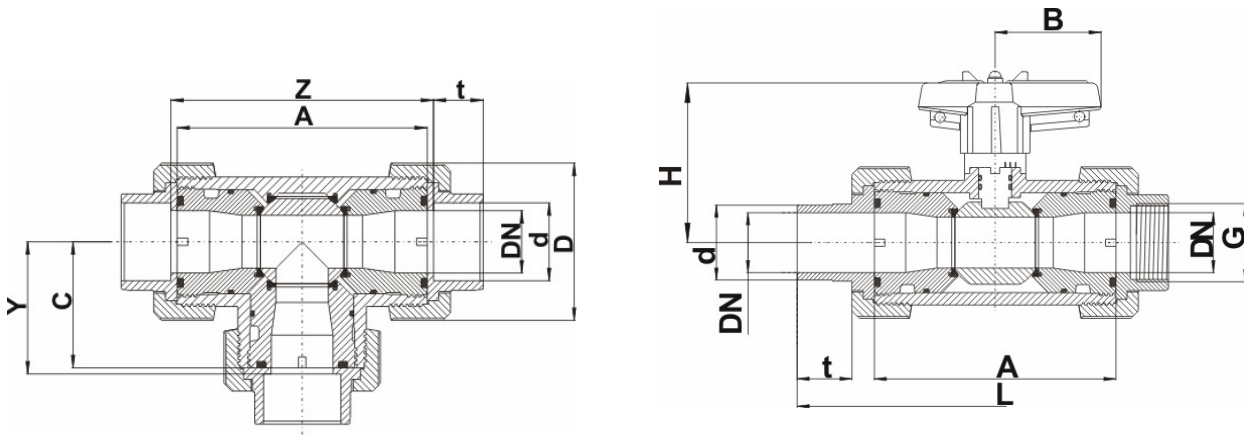
| DN | 10 | 15 | 20 | 25 | 32 | 40 | 50 |
|--|-----------|-----------|-----------|-----------|-----------|-----------|-----------|
| d | 16 | 20 | 25 | 32 | 40 | 50 | 63 |
| G_{GM}¹ | 3/8" | 1/2" | 3/4" | 1" | 1 1/4" | 1 1/2" | 2" |
| A | 98 | 98 | 118 | 118 | 159 | 159 | 177 |
| B | 40 | 40 | 51,5 | 51,5 | 73 | 73 | 85 |
| C | 49 | 49 | 59 | 59 | 79,5 | 79,5 | 88,5 |
| D | 53 | 53 | 71 | 71 | 100 | 100 | 120,5 |
| H | 72 | 72 | 81,5 | 81,5 | 107,5 | 107,5 | 116,5 |
| t_{min} SM² / SS³ | 13 | 14,5 | 16,5 | 18 | 20,5 | 23,5 | 27,5 |
| L_{SM}² | 136 | 136 | 163 | 168 | 220 | 229 | 263 |
| L_{SS}³ | 150 | 160 | 190 | 196 | 247 | 256 | 289 |
| L_{GM}¹ | 136 | 136 | - | 168 | - | 229 | 263 |
| Y | 55 | 53,5 | 65,5 | 66 | 89,5 | 91 | 104 |
| Z | 110 | 107 | 131 | 132 | 179 | 182 | 208 |
| PN | 10 | 10 | 10 | 10 | 10 | 10 | 10 |

Dimensions in mm

- ¹ GM = threaded socket
- ² SM = fusion socket
- ³ SS = fusion spigot
- = currently not available



3-way Ball Valve S4 hand operated



PVDF

Possible connections

PVDF fusion socket / fusion spigot / threaded socket

| DN | 10 | 15 | 20 | 25 | 32 | 40 | 50 |
|--|------|------|------|------|--------|--------|-------|
| d | 16 | 20 | 25 | 32 | 40 | 50 | 63 |
| G _{GM} ¹ | 3/8" | 1/2" | 3/4" | 1" | 1 1/4" | 1 1/2" | 2" |
| A | 98 | 98 | 117 | 117 | 158 | 158 | 176 |
| B | 40 | 40 | 51,5 | 51,5 | 73 | 73 | 85 |
| C | 49 | 49 | 59 | 59 | 79 | 79 | 88 |
| D | 52,5 | 52,5 | 70 | 70 | 98,5 | 98,5 | 118 |
| H | 72 | 72 | 81,5 | 81,5 | 107,5 | 107,5 | 116,5 |
| t _{min} SM ² / SS ³ | 13 | 14,5 | 16,5 | 18 | 20,5 | 23,5 | 27,5 |
| L _{SM} ² | 136 | 136 | 162 | 167 | 219 | 228 | 262 |
| L _{SS} ³ | 26 | 31,5 | 36 | 39,5 | 44 | 48,5 | 55,5 |
| L _{GM} ¹ | 136 | 136 | - | 168 | - | 228 | 262 |
| Y | 55 | 53,5 | 65,5 | 66 | 89 | 90,5 | 103,5 |
| Z | 110 | 107 | 130 | 131 | 178 | 181 | 207 |
| PN | 16 | 16 | 16 | 16 | 16 | 16 | 16 |

Dimensions in mm

- ¹ GM = threaded socket
- ² SM = fusion socket
- ³ SS = fusion spigot
- = currently not available



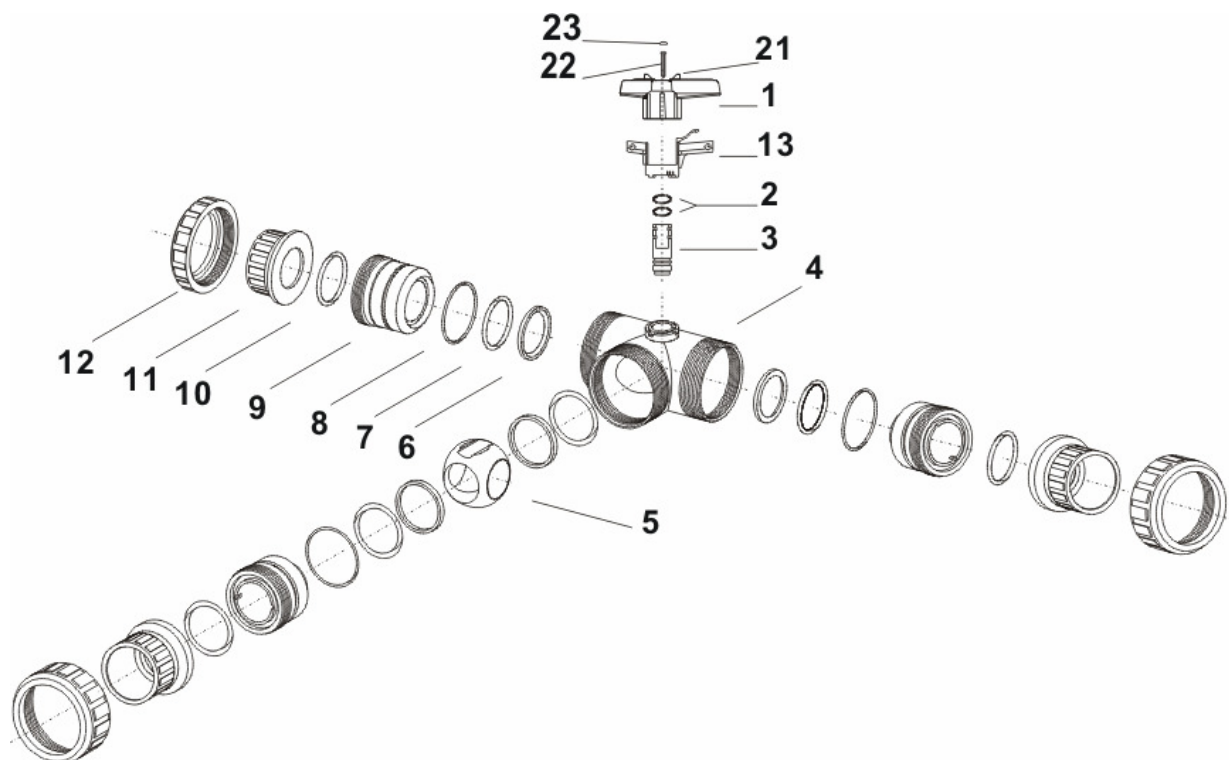
3-way Ball Valve S4

hand operated



Exploded drawing:

- | | |
|----------------------------------|--|
| 01. Handle | 12. Union nut |
| 02. O-Ring | 13. Locking sleeve |
| 03. Shaft | 21. Spigot for opening the thrust collar |
| 04. Body | 22. Screw |
| 05. Ball „L“ or „T“ | 23. Cover for screw |
| 06. Ball seating joint | |
| 07. O-Ring | |
| 08. O-Ring | |
| 09. Thrust collar | |
| 10. O-Ring | |
| 11. Connections | |
| solvent cement stocket / spigot | |
| fusion socket / spigot | |
| threaded socket | |
| flange adaptor with loose flange | |



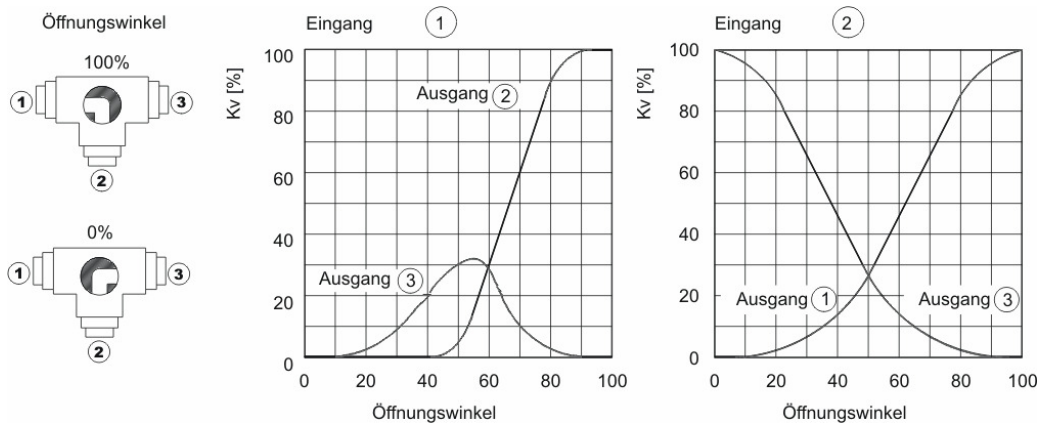
3-way Ball Valve S4

hand operated

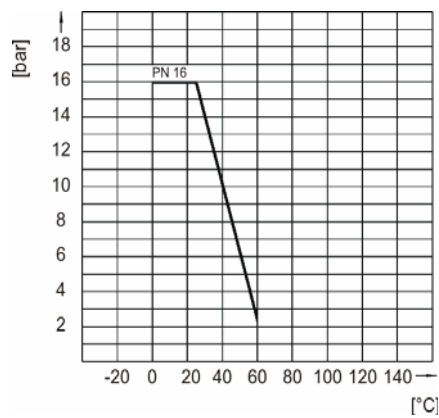


Diagrams:

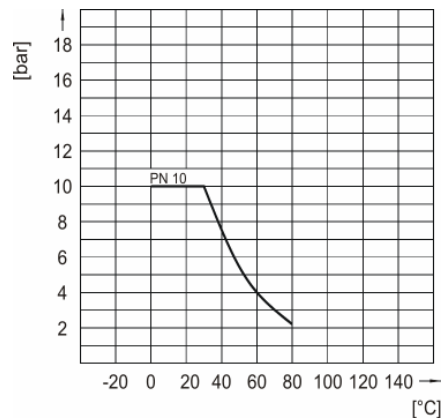
Flow-characteristic



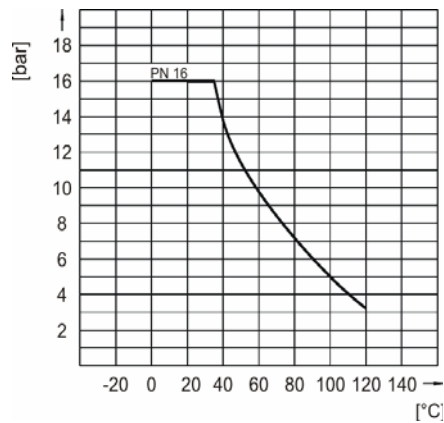
Pressure-Temperature-Diagram – PVC-U



Pressure-Temperature-Diagram – PP



Pressure-Temperature-Diagram – PVDF

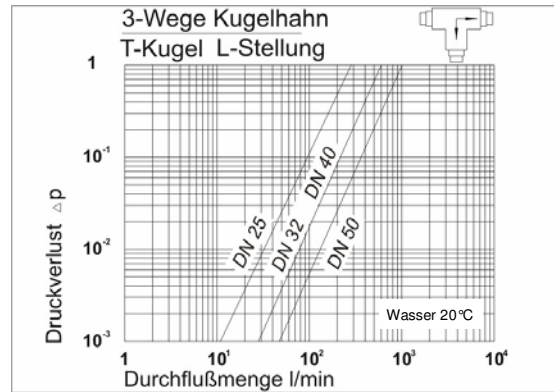
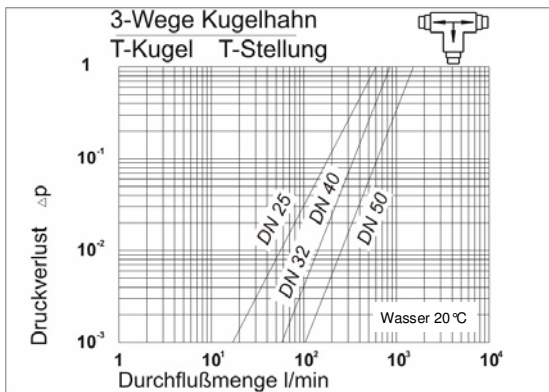
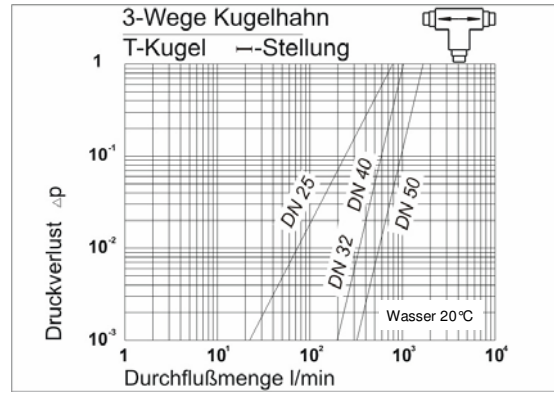
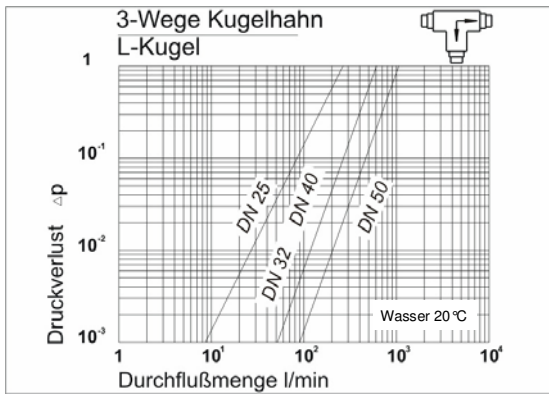


3-way Ball Valve S4

hand operated



Pressure-Loss-Diagram



Torque

