

## Aerating Valve S4



Symbol foto

### General:

- Material: PVC-U / PP
- Sealing material: EPDM / FPM
- Dimensions: DN10 – DN80  
d16 – d110  
3/8" – 4"

### Connector types

- Solvent socket PVC: DIN / ASTM / JIS
- Solvent spigot PVC: DIN
- Threaded socket PVC / PP: BSP
- Fusion socket PP: DIN
- Fusion spigot PP / PE: DIN

### Operating pressure:

DN10 d16 d3/8" – DN50 d63 d2"	PN16/10
DN65 d75 d2 1/2"	PN16/8
DN80 d90 d3"	PN10/6
DN80 d110 d4"	PN6

### Technical features:

- Maintenance free operation over a long working life
- Service friendliness
- Radial installation or removal
- Quick and exact closing and opening

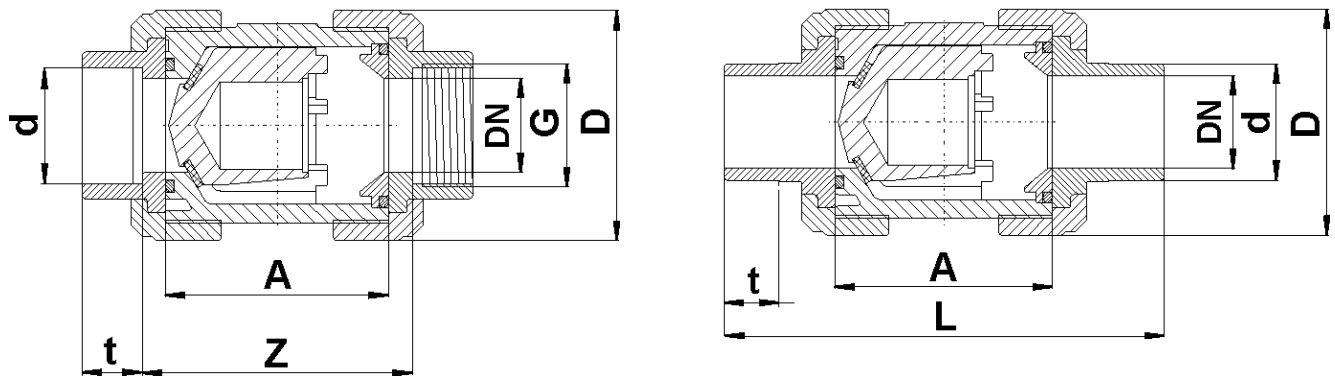
This document does not constitute a guarantee, it is for initial information purposes only. The product range is continually upgraded, the designs and types therefore only reflect the state of the art at the time of printing.  
Subject to technical modifications!



# Aerating Valve S4



## Dimensions:



### PVC

#### Connector types

PVC solvent socket / solvent spigot / threaded socket

PE fusion socket

DN	10	15	20	25	32	40	50	65	80	80
d	16	20	25	32	40	50	63	75	90	110
G <sup>1</sup> TSO	3/8"	1/2"	3/4"	1"	1 1/4"	1 1/2"	2"	2 1/2"	3"	-
A	62	62	70	74	84	95	109	137	163	163
D	53	53	63	70	85	101	124,5	155	188	188
t <sup>2</sup> SSO	16,5	16,5	19,5	22,5	26,5	31,5	38,5	45	55,5	64
t <sup>3</sup> SSP	17	17	20	22,5	26,5	31,5	38,5	45	52	64,5
t <sup>4</sup> FSP PE	13	14,5	15,5	18,5	15,5	29	31	32	30	38
L <sup>3</sup> SSP	115	125	145	154	174	194	223	287	300	341
L <sup>4</sup> FSP PE	112	123	143	151	142	180	197	253	393	323
Z <sup>1</sup> TSO	67	67	77	81	90	104	120	150	185	-
Z <sup>2</sup> SSO	68	67	76	80	91	103	120	148	180	173
PN	16	16	16	16	16	16	16	16	10	6

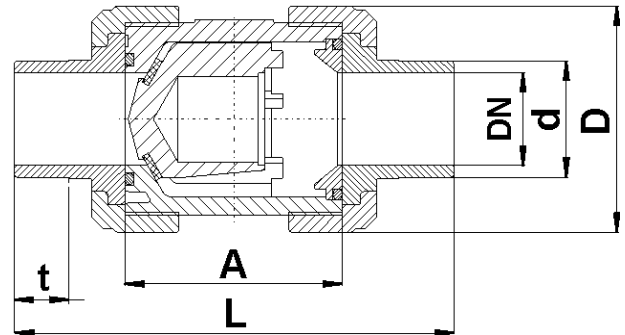
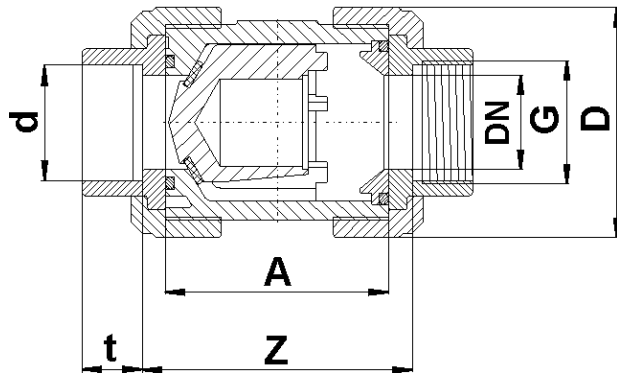
Dimensionen in mm

<sup>1</sup> TSO= threaded socket  
<sup>3</sup> SSP= solvent spigot  
 - = currently not realised

<sup>2</sup> SSO = solvent socket  
<sup>4</sup> FSP = fusion spigot



# Aerating Valve S4



## PP

### Connector types

PP fusion socket / fusion spigot / threaded socket

DN	10	15	20	25	32	40	50	65	80	80
d	16	20	25	32	40	50	63	75	90	110
G <sup>1</sup> <sub>TSO</sub>	3/8"	1/2"	3/4"	1"	1 1/4"	1 1/2"	2"	2 1/2"	3"	-
A	62	62	69	73	93	94	108	133	160	160
D	53	53	64	71	84,5	100	120,5	155	187	187
t <sup>2</sup> <sub>FSP</sub>	16,5	16,5	19,5	22,5	26,5	31,5	38,5	45	55,5	64
t <sup>3</sup> <sub>FSP</sub>	13	14	15,5	18,5	20,5	23,5	28	31	36	38
L <sup>3</sup> <sub>FSP</sub>	114	124	143	152	171	191	220	277	295	312
Z <sup>1</sup> <sub>TSO</sub>	67	67	74	80	99	13	119	143	180	-
Z <sup>2</sup> <sub>FSP</sub>	71	68	78	84	107	113	136	162	211	213
PN	10	10	10	10	10	10	10	8	6	6

Dimensions in mm

- <sup>1</sup> TSO = threaded socket
- <sup>2</sup> FSO = fusion socket
- <sup>3</sup> FSP = fusion spigot
- = currently not realised

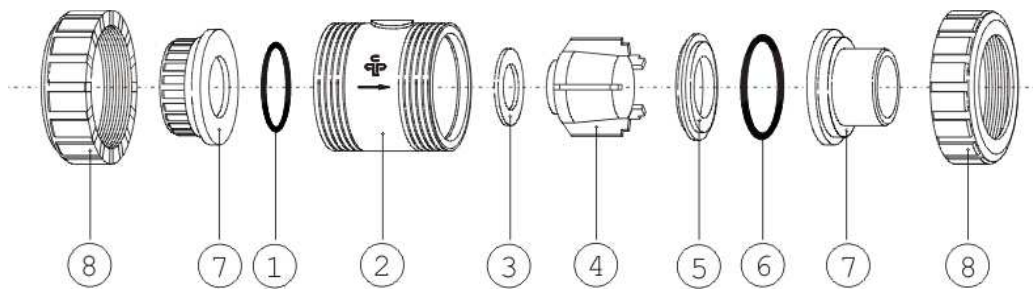


# Aerating Valve S4

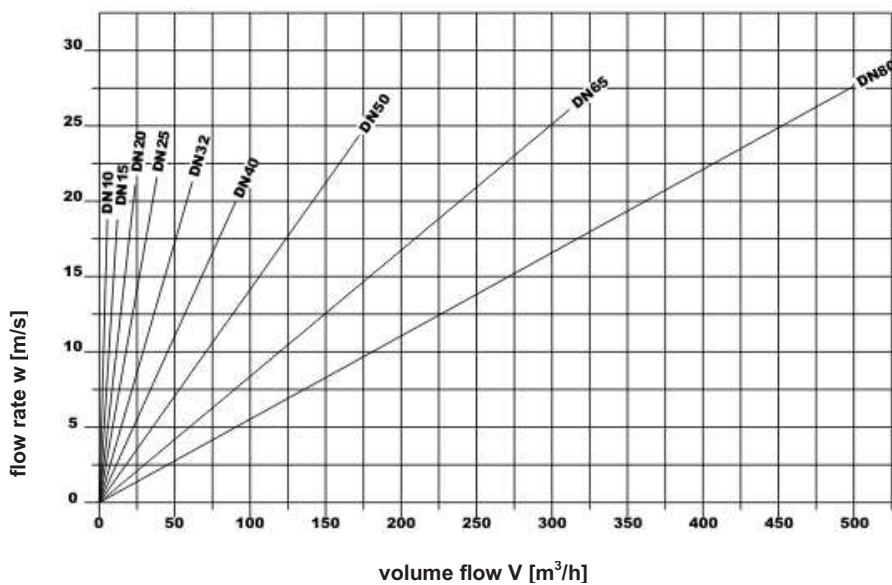


## Exploded drawing:

- 01. O-Ring
- 02. Body
- 03. flat gasket
- 04. Cone
- 05. thrust collar
- 06. O-Ring
- 07. Connector types
  - solvent socket
  - solvent spigot
  - threaded socket
  - fusion socket
  - fusion spigot
- 08. Union nut



## Diagrams:

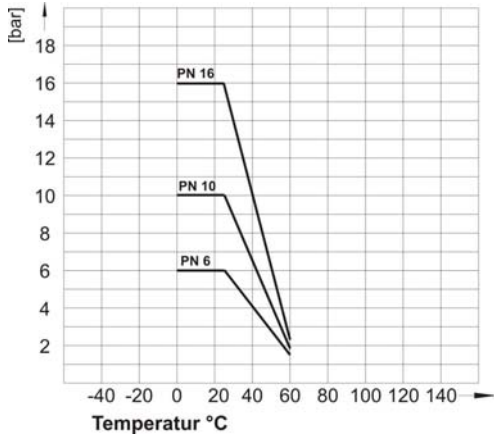


# Aerating Valve S4



## Pressure – Temperature – Diagram

### PVC



### PP

