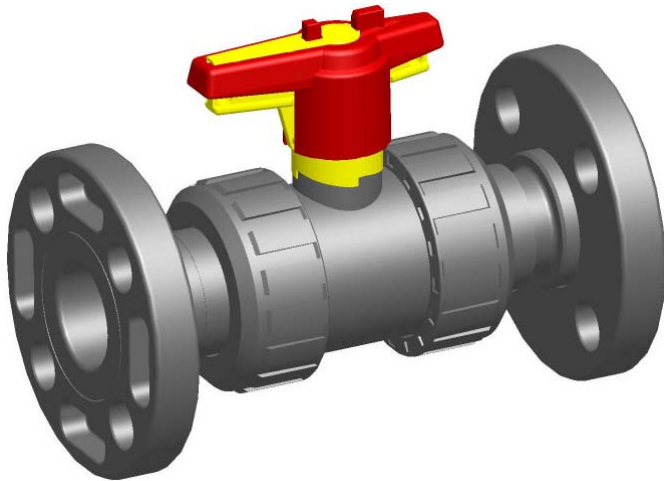


2 way ball valve S4 ANSI backing flange



General:

- Material: PVC-U
- Sealing materials: EPDM / FPM
- Ball seating joint: PTFE
- Dimension: DN15 – DN80
d20 – d110
1/2" – 4"

Connector type

- Backing flange: ANSI

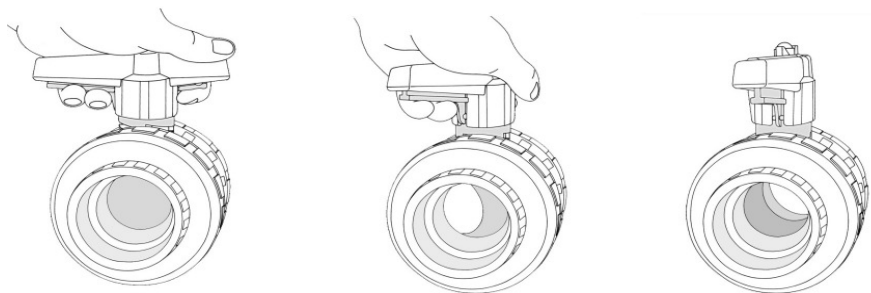
Operating pressure:

DN15 d20 1/2" – DN80 d90 3"	PN10
DN80 d110 4"	PN6

Technical features:

- Backing flange
- Safety handle system
- Radial ein- und ausbaubar
- Beidseitig gesicherte Kugel
- Voller Durchflussquerschnitt (Nennweite)
- Schwimmend gelagerte Kugel
- Kugelsitzring aus PTFE

Safety locking handle system



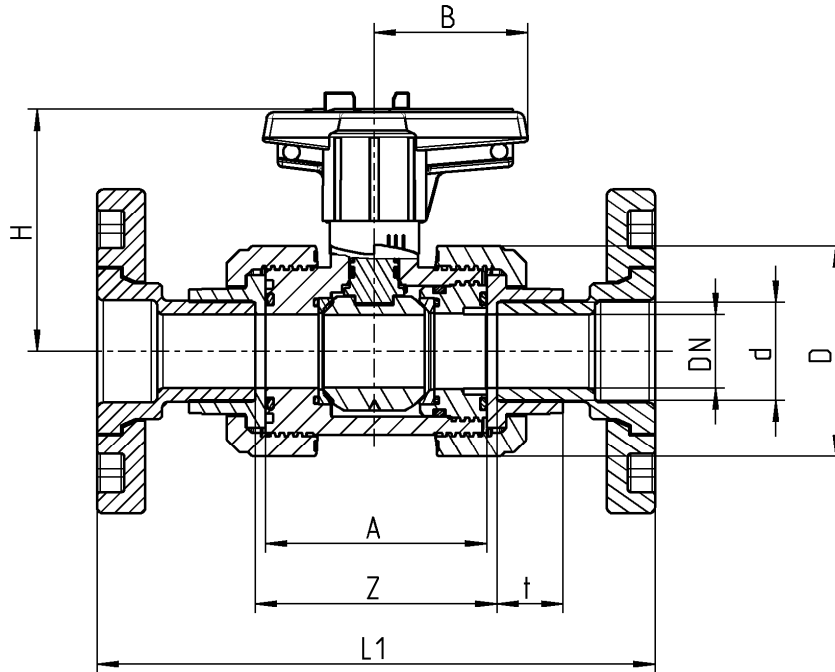
This document does not constitute a guarantee, it is for initial information purposes only. The product range is continually upgraded, the designs and types therefore only reflect the state of the art at the time of printing.
Subject to technical modifications!



2 way ball valve S4
ANSI backing flange



Dimensions:



DN	15	20	25	32	40	50	65	80	80
d	20	25	32	40	50	63	75	90	110
G	1/2"	3/4"	1"	1 1/4"	1 1/2"	2"	2 1/2"	3"	4"
L1	158,0	175,0	192,0	209,0	238,0	264,0	305,0	366,0	382,0
A	62,0	70,0	74,0	84,0	95,0	109,0	137,0	163,0	163,0
Z	67,5	76,0	81,0	90,0	104,0	121,0	148,0	180,0	176,0
t	16,5	19,5	22,5	26,5	31,5	38,5	45,0	55,5	64,0
D	53,0	63,0	70,0	85,0	101,0	124,5	155,0	188,0	188,0
H	72,0	78,5	81,5	100,0	107,5	116,5	144,0	163,0	163,0
B	40,0	51,5	51,5	64,0	73,0	85,0	110,0	132,0	132,0
PN	10	10	10	10	10	10	10	10	6

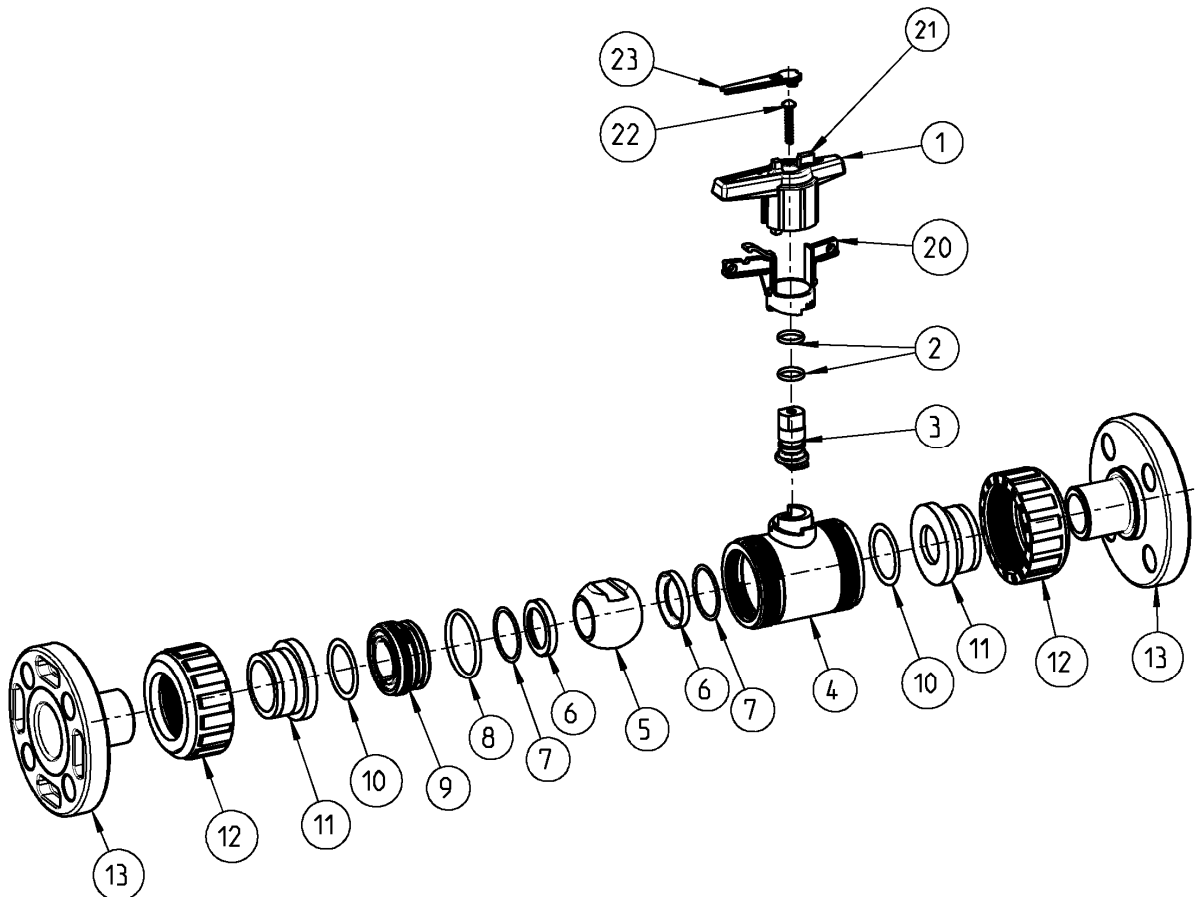
Dimensions in mm

2 way ball valve S4 ANSI backing flange



Exploded drawing:

- 01. Handle
- 02. O-Ring
- 03. Shaft
- 04. Valve body
- 05. Ball
- 06. Ball seating joint
- 07. O-Ring
- 08. O-Ring
- 09. Trust collar
- 10. O-Ring
- 11. End connection
- 12. Union nut
- 13. Backing flange
- 20. Safety ring
- 21. Plug for opening trust collar
- 22. Screw
- 23. PLS insert (Praher Labelling System)

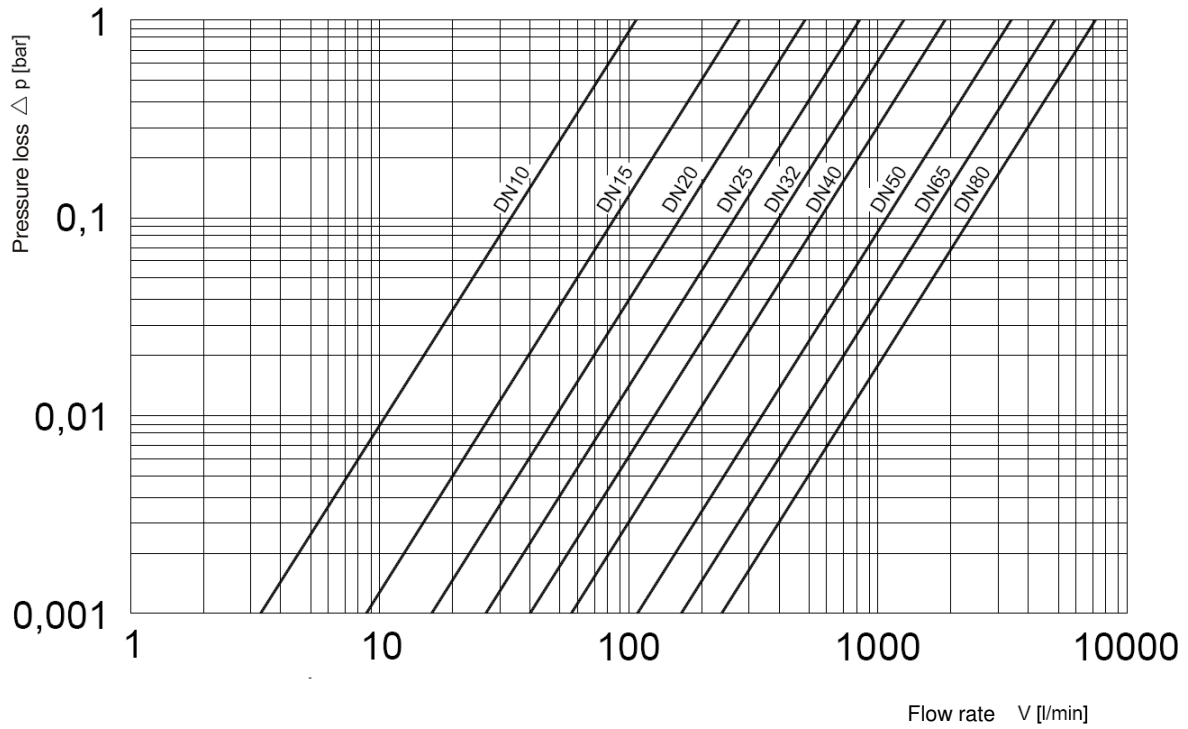


2 way ball valve S4
ANSI backing flange



Diagrams:

Pressure loss diagram

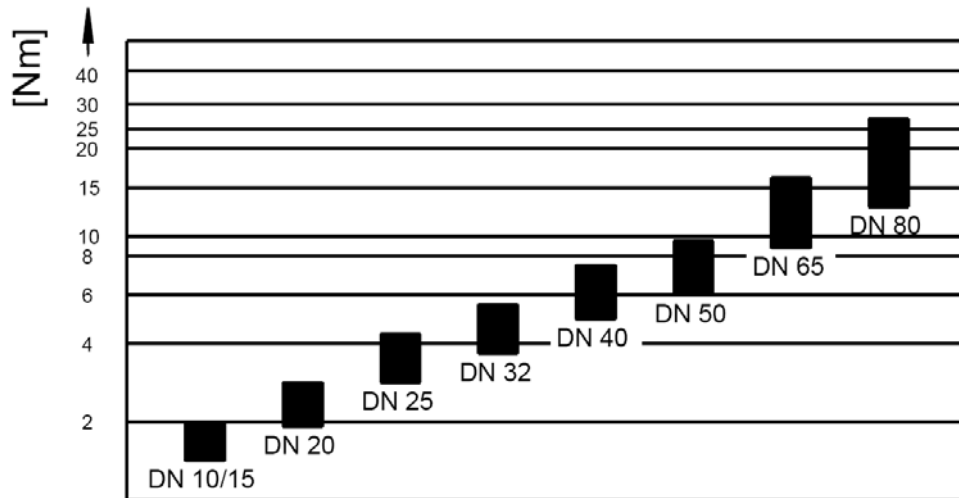


Kv value table		
Pressure loss	1 bar	0,001 bar
DN10	107 l/min	3,4 l/min
DN15	278 l/min	8,8 l/min
DN20	509 l/min	16,1 l/min
DN25	843 l/min	26,7 l/min
DN32	1269 l/min	40,1 l/min
DN40	1858 l/min	58,7 l/min
DN50	3424 l/min	110 l/min
DN65	5133 l/min	165 l/min
DN80	7455 l/min	240 l/min

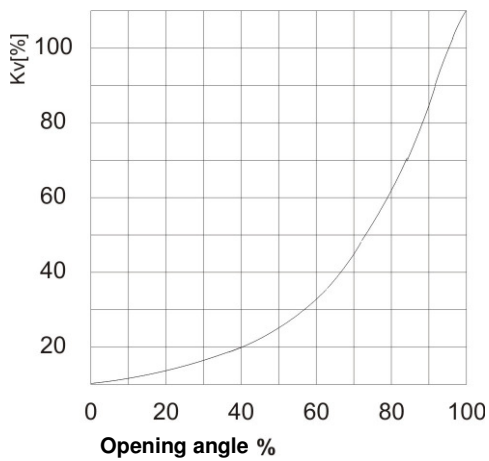
2 way ball valve S4
ANSI backing flange



Torque



Flow characteristic



Pressure – temperature – diagram

