



A NEW WINDOW
to THE VALVE WORLD



PE100 GATE VALVE

FIRST IN THE WORLD!



PE100 GATE VALVE – LONG SPIGOT



PE100 GATE VALVE – SHORT SPIGOT



PE100 GATE VALVE / FLANGED



PE100 GATE VALVE – LONG SPIGOT/ FLANGED



PE100 GATE VALVE – SHORT SPIGOT/ FLANGED



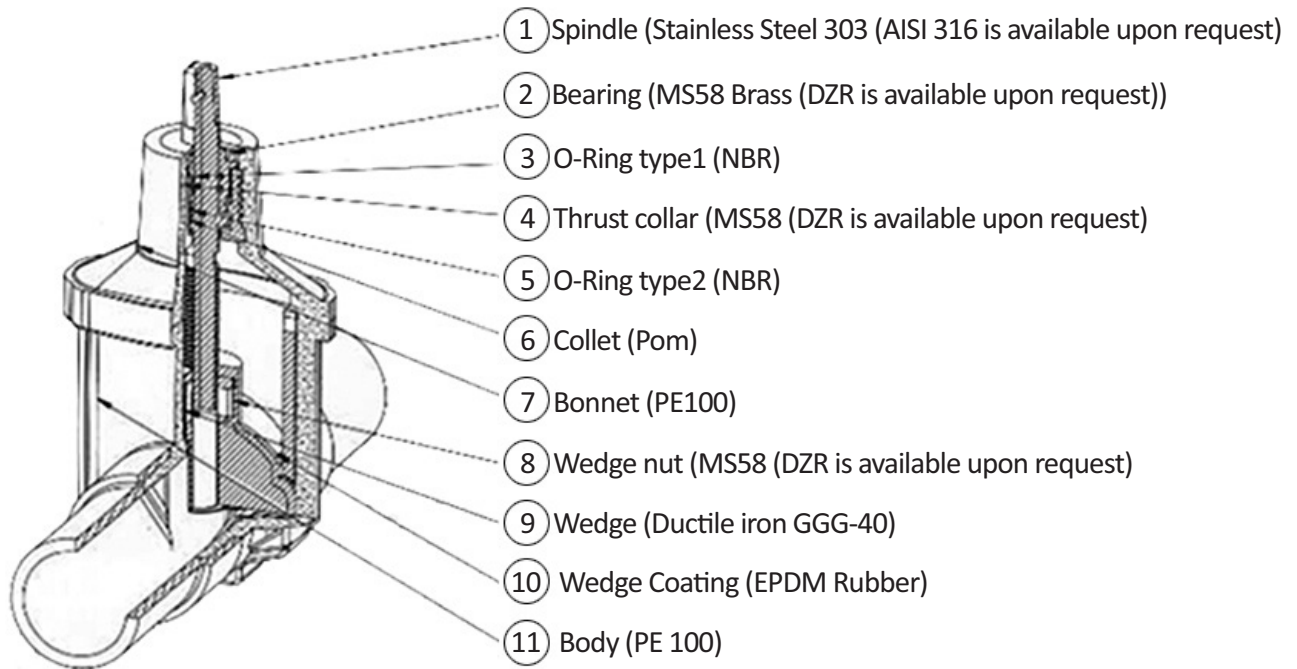
PE100 GATE VALVE – ELECTROFUSION



PE100 GATE VALVE – WITH ELECTROFUSION SADDLE

“Tega reserve the right that modifications with regard to technical details and measurements given in this brochure are subject to change without notice”

COMPONENT LIST



RELATED STANDARDS

EN 12201-4

- Plastic piping system for water supply

EN 917

- Hydrostatic strength at 20°C – 100 hrs
- Hydrostatic strength at 80°C – 165 hrs
- Hydrostatic strength at 80°C – 1000 hrs

EN 1074-1

- Valves for water supply

EN 1680

- Leak tightness under and after bending applied to the operating mechanism

EN 1705

- Impact loading

EN 12100

- Resistance to bending between supports

EN 28233

- Operating Torque
- Stop Resistance
- Actuation mechanism resistance

ISO 5208

- Leak tightness of seat and packing

ISO 10933

- Leak tightness under tensile load

DIN 3352

- Cast Iron gate valve (related parts)

DIN 3202/F5 -- EN558-1 (Series 15)

- Face to face dimension

Drilling Dimension for Flange

ISO 7005-2 (EN 1092-2)

ASME B 16.1



IS PE GATE VALVE JUST A DREAM ?

For many years, the idea of production of Gate valve from the PE material has been discussed between valve manufacturers and engineers.

Some unsuccessful tries have been made on this way.

However, the implementation of this idea is believed to be impossible because of PE molding material specification is assumed as not compatible with the principle of the gate valve.



TEGA REALIZES OWN DREAM

Since 2005, TEGA R & D group has entered into an intensive effort to realize this dream, and attempted numerous calculations, analysis and tests on this way.

At the end of six-year period, TEGA has managed to reach to the needed technical criteria and has succeed the first in the world. Even the biggest manufacturers gave up to dream on this way TEGA Engineering R & D Group feel right proud of their success.



THE ADVANTAGES OF PE GATE VALVE

Durability	Installation
<ul style="list-style-type: none">•Complete PE body and outlets•High resistance to corrosion and chemicals•High resistance to break•EPDM sealing	<ul style="list-style-type: none">•No need for flange or mechanical connections•Low weight compared with metal valves•High flexibility

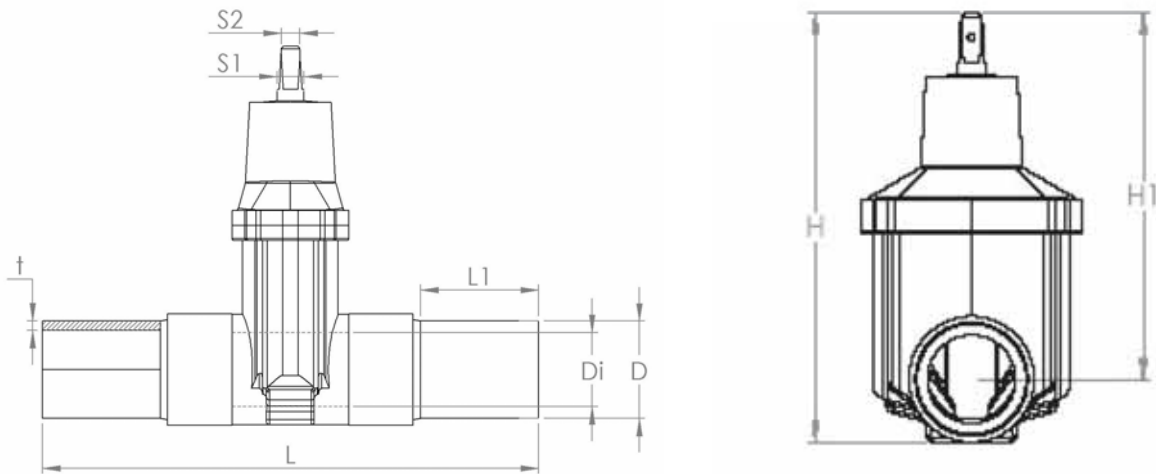


- Advanced design of engineering
- Precision manufacturing processes
- High Quality Criteria
- 100% Quality Control



165-hour and 1000-hour aging tests according to EN 12201-4 are the basis of Tega PE gate valves 60 year lifetime warranty.

PE100 GATE VALVE – LONG SPIGOT



Metric Size (mm)

PRODUCT CODE	D	Di	L	L1	H	H1	t	S1	S2
30.GV0.00.11.0063	63	51	330	65	285	250	6,5	17	14
30.GV0.00.11.0075	75	51	380	90	285	250	6,5	17	14
30.GV0.00.11.0090	90	72	575	160	365	310	9	19	16
30.GV0.00.11.0110	110	87	610	150	405	340	11	19	16
30.GV0.00.11.0125	125	87	610	150	430	375	18,50	19	16
30.GV0.00.11.0160	160	129	695	200	540	460	16	19	16
30.GV0.00.11.0180	180	129	715	210	540	460	16	19	16
30.GV0.00.11.0200	200	129	745	225	540	460	16	19	16
30.GV0.00.11.0225	225	129	775	240	540	460	16	19	16

Inch Size

PRODUCT CODE	D	Di	L	L1	H	H1	t	S1	S2
30.GV0.00.11.0088	3" IPS	2,834"	26.637"	6.300"	11.22"	9.84"	0,26"	0,75"	0,63"
30.GV0.00.11.0114	4" IPS	3,425"	24.013"	5.905"	16.93"	14.76"	0.43"	0.75"	0.63"
30.GV0.00.11.0168	6" IPS	5,078"	27,362"	7.874"	21.26"	18.11"	0.63"	0.75"	0,63"

PE100 ELECTROFUSION GATE VALVE



Metric Size (mm)

PRODUCT CODE	D	L	L1	H1	S1	S2
30.GV1.00.11.0063	63	310	55	250	17	14
30.GV1.00.11.0075	75	320	60	250	17	14
30.GV1.00.11.0090	90	415	75	310	19	16
30.GV1.00.11.0110	110	435	75	375	19	16
30.GV1.00.11.0125	125	445	80	375	19	16
30.GV1.00.11.0160	160	500	85	460	19	16
30.GV1.00.11.0180	180	500	85	460	19	16

PE100 GATE VALVE with EF SADDLE



Metric Size (mm)

PRODUCT CODE	D	L	L1	R	H	S1	S2
30.GS1.00.11.0063	63	350	65	63...1600	250	17	14
30.GS1.00.11.0090	90	505	160	90...1600	310	19	16
30.GS1.00.11.0110	110	536	150	110...1600	375	19	16
30.GS1.00.11.0160	160	602	200	160...1600	460	19	16

PE100 GATE VALVE – SHORT SPIGOT /FLANGED



Metric Size (mm) – Drilling Dimension for Flange: ISO 7005-2

PRODUCT CODE	D	Dn	L	L1	H	H1	t	S1	S2	K	R	d/Qty
30.GFK.00.11.0090	90	80	355	80	365	310	9	19	16	160	200	18/8
30.GFK.00.11.0110	110	100	386	90	430	375	11	19	16	180	220	18/8
30.GFK.00.11.0160	160	150	420	95	540	460	16	19	16	240	285	23/8

PE100 GATE VALVE – SHORT SPIGOT



Metric Size (mm)

PRODUCT CODE	D	L	L1	H	H1	t	S1	S2
30.GVK.00.11.0063	63	200	50	285	250	6.5	17	14
30.GVK.00.11.0090	90	265	80	365	310	9	19	16
30.GVK.00.11.0110	110	293	90	430	375	11	19	16
30.GVK.00.11.0125	160	340	95	540	460	16	19	16

PE100 GATE VALVE – LONG SPIGOT/FLANGED



Metric Size (mm) - Drilling Dimension for Flange: ISO 7005-2

PRODUCT CODE	D	Dn	L	L1	H1	H	t	S1	S2	K	R	d/Qty
30.GF0.00.11.0090	90	80	510	160	365	310	9	19	16	160	200	18/8
30.GF0.00.11.0110	110	100	545	150	430	375	11	19	16	180	220	18/8
30.GF0.00.11.0125	125	100	555	150	430	375	13	19	16	180	220	18/8
30.GF0.00.11.0160	160	150	598	200	540	460	16	19	16	240	285	23/8

Inch Size - Drilling Dimension for Flange: ASME B 16.1

PRODUCT CODE	Dn	L	L1	H1	H	t	S1	S2	K	R	d/Qty
30.GF0.00.11.0088	3"IPS	20.078"	2.56"	11.22"	9.84"	0.26"	0.75"	0.63"	6.625"	8.25"	0.875"/8
30.GF0.00.11.0114	4"IPS	21.456"	3.35"	16.93"	14.76"	0.44"	0.75"	0.63"	7.875"	10.00"	0.875"/8
30.GF0.00.11.0118	6"IPS	23.543"	3.94"	21.26"	18.11"	0.71"	0.75	0.63"	10.625"	12.50"	0.875"/12

PE100 GATE VALVE – FLANGED



Metric Size (mm) - Drilling Dimension for Flange: ISO 7005-2

PRODUCT CODE	Dn	PEEquivalent	L	R	H	H1	K	S1	S2	d/Qty
30.GFF.00.11.0090	80	90	280	200	365	310	160	19	16	18/8
30.GFF.00.11.0110	100	110	300	220	430	375	180	19	16	18/8
30.GFF.00.11.0125	100	125	300	220	430	375	180	19	16	18/8
30.GFF.00.11.0160	150	160	350	285	540	460	240	19	16	23/8

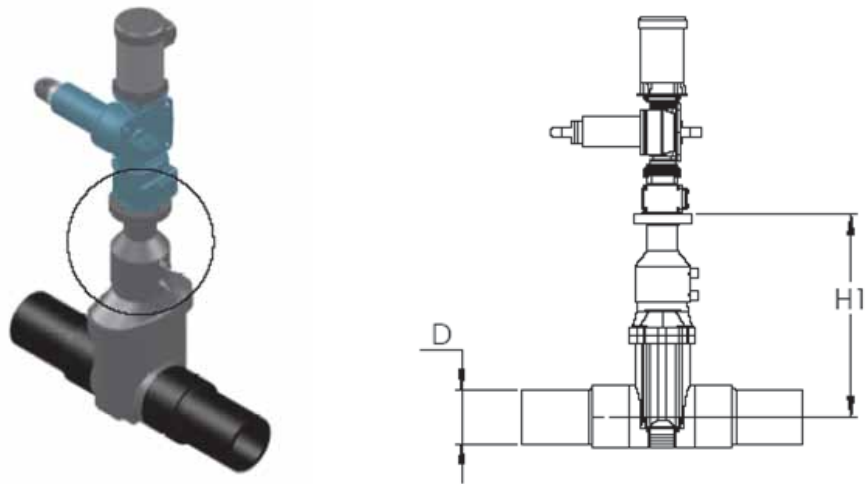
Inch Size - Drilling Dimension for Flange: ASME B 16.1

PRODUCT CODE	Dn	L	R	H	H1	K	S1	S2	d/Qty
30.GFF.00.11.0088	3"IPS	11.024"	8.25"	11.22"	9.84"	6.625"	0.75"	0.63"	0.875"/8
30.GFF.00.11.0114	4"IPS	11.811"	10.00"	16.93"	14.76"	7.785"	0.75"	0.63"	0.875"/8
30.GFF.00.11.0160	6"IPS	13.780"	12.50"	21.26"	18.11"	10.625"	0.75"	0.63"	0.875"/12

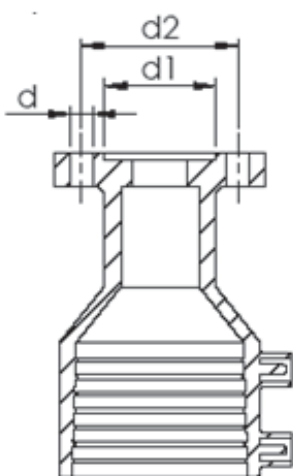
EF ACTUATOR BASE



Do your "gate valve with actuator" on job side yourself by using TEGA EF actuator base!
Most practical system on the world.



Mounting Flange Dimension according to standart ISO 5211/NFE 29-401 (F07)
Torque max. = 40 N.m Thrust max.= 20 N.m



d/QTy	d1	d2
10/4	56	70

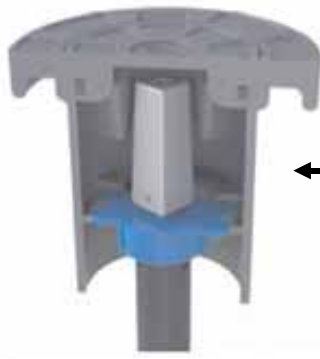
D	H1
63	250
90	323
110	386
125	386
160	425
180	425



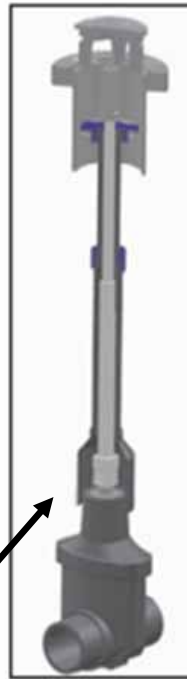
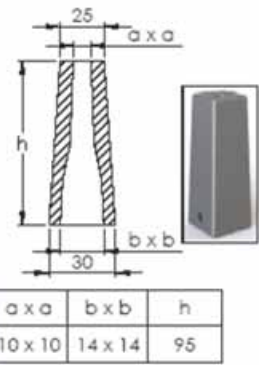
Detail A
(EF Actuator Base)

TEGA TELESCOPIC EXTENSION SPINDLE with SURFACE BOX for GATE VALVES

Tega Surface Box is being produced from special composite material. Surface Box is designed and manufactured to resist asphalt temperature up to 80 °C and has capability to resist for high traffic loads.



Key Adapter



GATE VALVE

Tega telescopic extension spindles are being produced as 4 different sizes between 0.7 m and 2 m. Pe plastic covers and steel square keys are also telescopic.

Spindle Adaptor and Key adaptor are being produced from GGG-40 high sensitive quality cast steel.

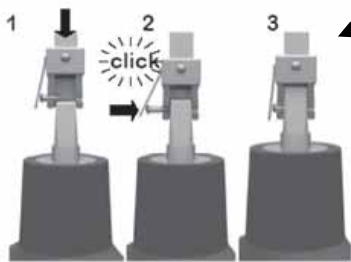
TEGA TELESCOPIC EXTENSIONS

Type	Minimum Length (m)	Maximum Length (m)
A	0,45	0,7
B	0,6	1
C	1	1,5
D	1,2	2

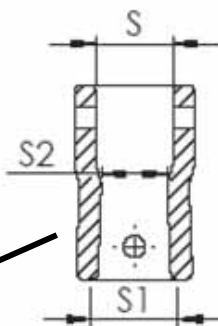
Manuel Pin System



Self Click System



Spindle Adapter



d	S X S	S1	S2
32-63	20 x 20	17	14
90-110	20 x 20	19	16
160	20 x 20	24	21



YESTERDAY



TODAY AND TOMORROW



www.tega.com.tr

02
2013